

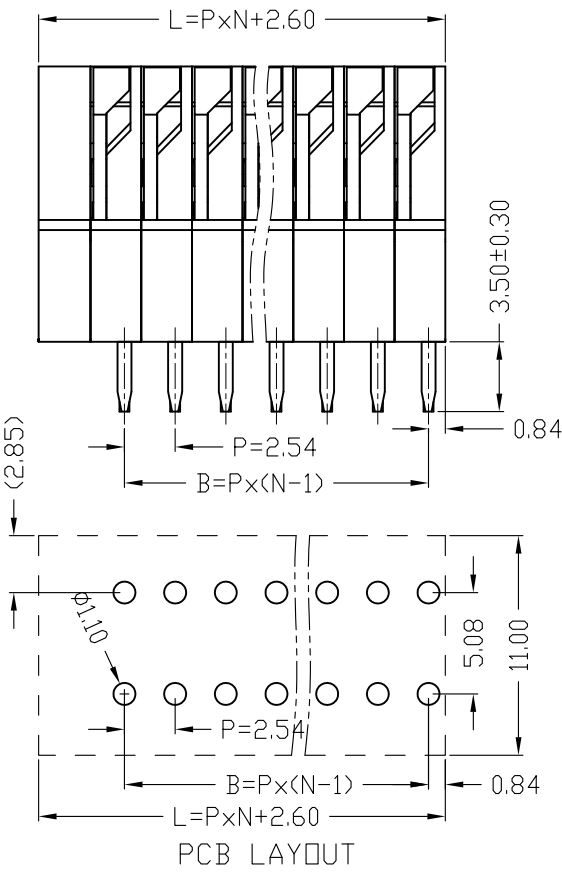
版次 (Version)	变更内容 (Rev. Content)	变更者 (Change Person)

技术参数 (Technical Data)		
项目 (Item)	UL	IEC
额定电气参数 (Rated Electrical Parameters)	150V/2A	130V/6A
压线范围 (Wire Range)	24~20AWG	1.0mm ²
工频耐压 (Frequency Voltage)	AC 1250V	
冲击耐压 (Rated Surge Voltage)	2500V	
绝缘阻抗 (Insulation Resistance)	DC500V 500MΩ above	
接触电阻 (Contact Resistance)	≤8mΩ	
剥线长度 (Stripping Length)	11mm	
工作温度 (Temperature)	-40°C~+105°C	
材质和电镀 (Material and plating)		
绝缘材质 (Housing)	PA66 (UL94 V-0)	
触点材料 (Contact)	铜合金, 镀锡 (Copper alloy, Sn plated)	
弹片 (Spring)	不锈钢 (Stainless)	

产品命名编码: (Product Number Code):
GSL003S-2.54-XXP-1Y-00A (H)

产品型号 (Series No.) | 客户需求 (Customer Request)
 极数 (No. of poles) | 塑体颜色 (Housing Color)

1: 单倍间距 (Single Pitch)	7: 透明色 (Transparent)
2: 双倍间距 (Double Pitch)	8: 白色 (White)
	9: 黄色 (Yellow)
	Y: 多种颜色 (Mixed Color)



P=2.54mm, N为孔位数 (N for hole digits), 有效位数为 (Significant Digits): 01P~XXP

N	01P	02P	03P	04P	05P	06P	07P	08P	09P	10P	11P	12P	13P
L	5.14	7.68	10.22	12.76	15.30	17.84	20.38	22.92	25.46	28.00	30.54	33.08	35.62
B	/	2.54	5.08	7.62	10.16	12.70	15.24	17.78	20.32	22.86	25.40	27.94	30.48
N	14P	15P	16P	17P	18P	19P	20P	21P	22P	23P	24P
L	38.16	40.70	43.24	45.78	48.32	50.86	53.40	55.94	58.48	61.02	63.56		
B	33.02	35.56	38.10	40.64	43.18	45.72	48.26	50.80	53.34	55.88	58.42		

GOOSVN 宁波高胜电子有限公司
 NINGBO GOOSVN ELECTRONIC CO.,LTD

公差范围 (Tolerance Range):
 150~ ±1.50
 60~150 ±1.00
 30~60 ±0.60
 6~30 ±0.40
 0~6 ±0.25

型号 (Type): **GSL003S-2.54-XXP-1Y-00A (H)**

核准 (Approval): _____ 图号 (Drawing NO.): _____

审核 (Audit): _____ 单位 (Units): mm 页码 (Page): 1/1

设计 (Design): _____ 比例 (Scale): FULL

版次 (Version): T0